

HOYT HI-RISE™ SCREENS: Performance That's Patented*



The HOYT Hi-Rise™ Screen features HOYT's Shaped Wire Technology™ that provides superior performance and increased productivity. Each Hi-Rise™ Screen features wire with an oblong shape rather than the standard round wire which increases wear-life, load capacity, open screen area, and sizing accuracy.

INCREASED OPEN AREA – Shaped wire offers an average of 15% open area, increasing production.

EXTENDED WEAR-LIFE – Shaped wire offers greater height and thus presents more wearing surface to the material, resulting in a screen panel that lasts longer.

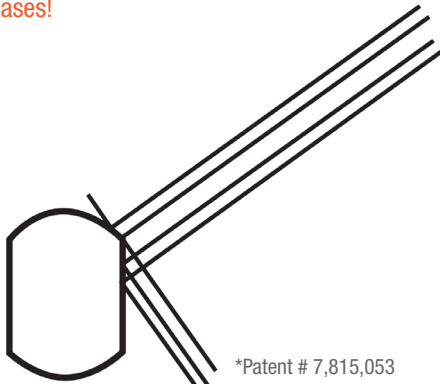
INCREASED LOAD CAPACITY – The unique shape of our wire provides up to 55% greater strength and load carrying capacity.

LONG-DURATION SIZING ACCURACY – The flat sides of our shaped wire wear more slowly. The result is a screen panel that holds accurate sizing longer.

WHAT MAKES THE DIFFERENCE?

HOYT Shaped Wire™

With shaped wire more particles deflect down and through the screen. Fewer particles deflect up and over. Just what you want and **Production Increases!**



Competitor's Round Wire

Particles are able to deflect up and over more easily causing less production. Material hitting wire at this angle bounces back at the same angle. **What a waste..**

